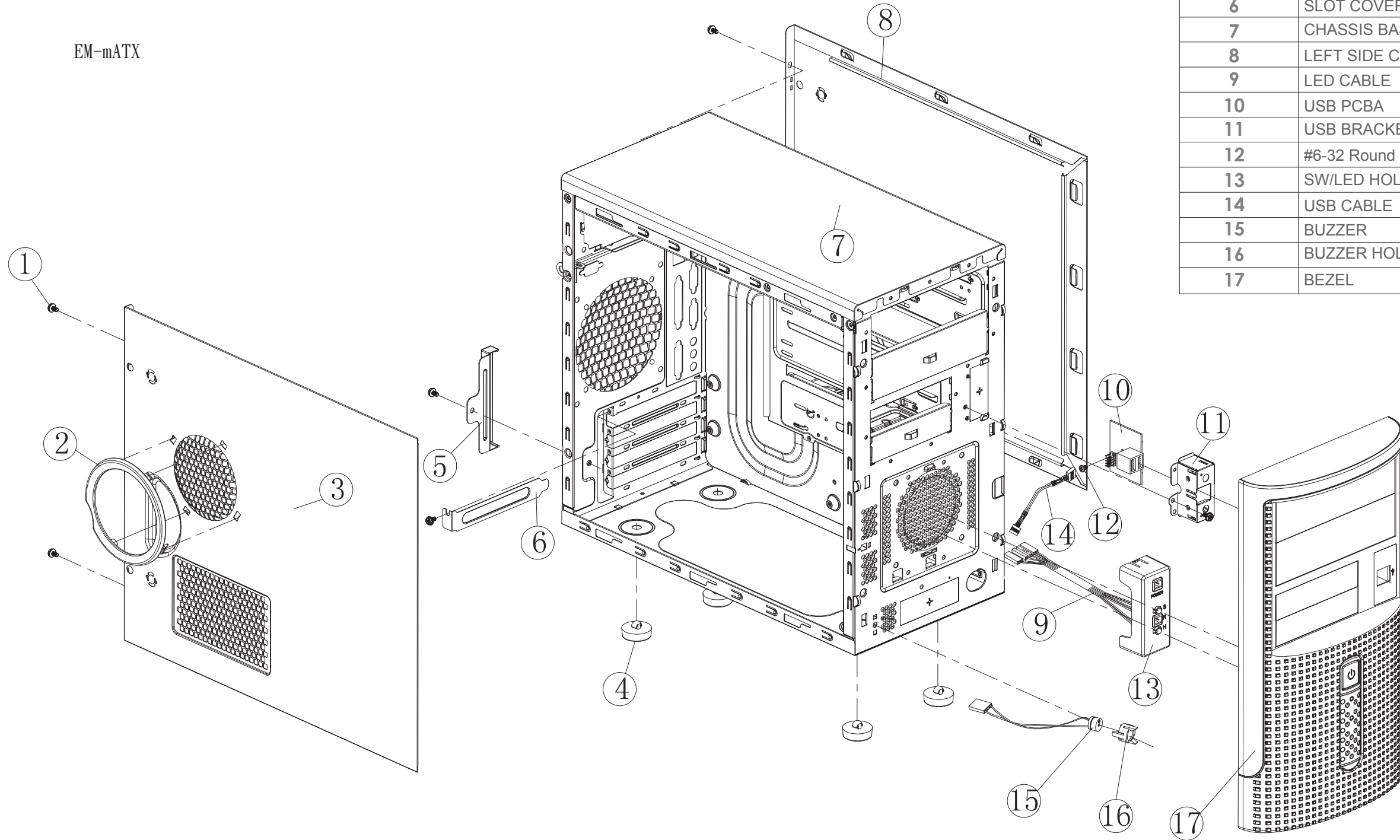



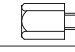
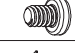

# EM-mATX

EM-mATX



NO	Parts Description	Quantity
1	#6-32 HEX SCREW	7
2	VENT COVER	1
3	RIGHT SIDE COVER	1
4	FOOT PAD	4
5	I/O SLOT LOCKER	1
6	SLOT COVER	1
7	CHASSIS BASE ASSEMBLY	1
8	LEFT SIDE COVER	1
9	LED CABLE	
10	USB PCBA	1
11	USB BRACKET	1
12	#6-32 Round HEAD SCREW	1
13	SW/LED HOLDER	1
14	USB CABLE	7
15	BUZZER	1
16	BUZZER HOLDER	1
17	BEZEL	1

Kit Assembly List

NO	Diagram	Parts Description	Intention	Quantity
1		#6-32 HEX SCREW	M/B & PCI SLOT	3
2		A500 STANDOFF	M/B	1
3		#6-32 Round HEAD SCREW	H.D.D	13
4		#M3*5 ROUND HEAD SCREW	F.D.D	11